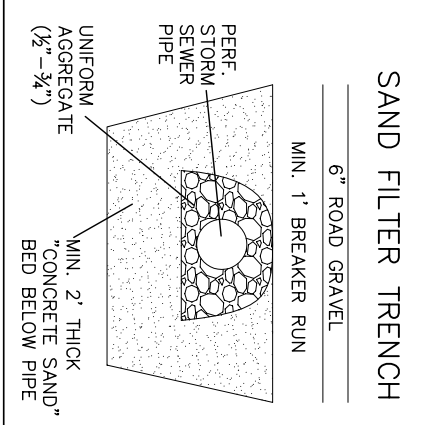


ANCLAM PARK E. COLI REDUCTION CONCEPT PLAN

NOTE: PROPERTY LINE, CONTOUR AND ORTHO PHOTO INFORMATION SHOWN HEREON IS APPROXIMATE AND WAS TAKEN FROM DATA PROVIDED BY THE DOOR COUNTY SOIL AND WATER CONSERVATION DEPARTMENT.



POSSIBLE IMPROVEMENTS

- Best Management Practices
 - Clean storm sewer inlets four times per year
 - Street/hard surface cleaning four times per year
 - Remove *Cladophora* when significant amount accumulates in swash zone
 - Implement storm water ordinances for future development
 - Public Signage (No pets, Don't feed the birds, Pick up trash)
- Beach nourishment to increase infiltration, decrease swash zone width, and increase beach area.
- Small dunes to slow surface flow and increase infiltration
- Plant dune grass to stabilize sand, increase infiltration, increase evapotranspiration, and detract birds.
- Lower existing culverts in jetty and install two additional culverts to increase water movement at beach.
- Extend perforated storm sewer pipe in sand filter trench for length of jetty to infiltrate and filter storm water.
- Abandon existing discharge pipe north of beach and re-route storm flow to Anclam Beach sand filter trench discharge pipe.
- Install Vortechs unit to remove sediment and debris.

LEGEND

- PROPERTY LINE
- 584- EXISTING CONTOURS (NGVD29 ELEV.)
- ST- EXISTING STORM SEWER
- - - ABANDON/REMOVE STORM SEWER
- - - PROPOSED STORM SEWER
- EXISTING CURB INLET
- SOIL BORING
- CONSTRUCTED DUNE WITH DUNE GRASS

5	4/30/07	ADD SAND FILTER TRENCH / FINAL ISSUE	SCJ
4	4/10/07	ISSUED FOR SWCD REVIEW	SCJ
3	3/29/2007	MISCELLANEOUS	SCJ
2	3/27/07	REMOVE SAND FILTER TRENCH	SCJ
1	3/20/07	REPLACE GRAVEL LOT WITH BEACH NOURISHMENT	SCJ
	DATE	DESCRIPTION	BY

PRELIMINARY, NOT FOR CONSTRUCTION

CONCEPTUAL DESIGN

MILLER ENGINEERS SCIENTISTS
 An Empire Oneid Company
 5308 S. 12th Street
 Sheboygan, WI 53081-8099
 Phone 920-458-6164
 Fax 920-458-0369
 www.storwithmiller.com

DOOR COUNTY
 BEACH STORM WATER MANAGEMENT
 ANCLAM TOWN BEACH
 BAILEY'S HARBOR, WI

SCALE: 1"=30'
 HOR. 1"=30'
 VER. AS SHOWN

DATE: 2/15/07
 BY: SCJ
 CK: ANCLAM
 PGP

SHEET 2 OF 2